



PIVOTS

TOP CENTER-HUNG

- Walking beam type pivot assembly
- Completely concealed

- Adjustable to obtain top door clearances of 1/8"-3/4"
- Complete sets include pivot, door arm & finished cover plate

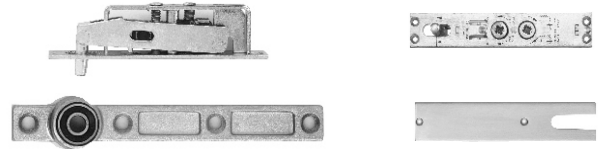


No. 20-534

APPLICATION: Aluminum, Wood or Metal Doors and Frames

CAPACITY: Maximum Width = 48" (1219 mm)
Maximum Weight = 260 Lbs (118 Kg)

FINISH - Cover Plate: DBZ 313
US28 / 628



No. 20-580

APPLICATION: Aluminum, Wood or Metal Doors and Frames

CAPACITY: Maximum Width = 54" (1372 mm)
Maximum Weight = 1000 Lbs (450 Kg)

FEATURES: Lateral door adjustment of 1/2" (12 mm)
FINISH - Cover Plate: DBZ 313
US3 / 605
US32 / 629
US32D / 630

TOP OFFSET

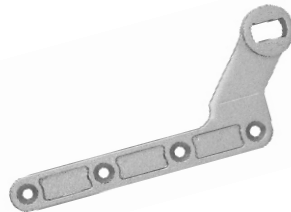


No. 20-7065 – 3/4"

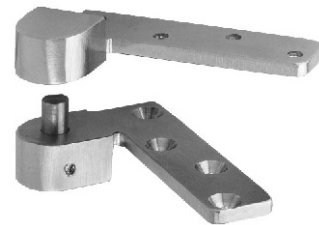
APPLICATION: Aluminum, Wood Doors and Frames

CAPACITY: Maximum Width = 48" (1219 mm)
Maximum Weight = 260 Lbs (118 Kg)

MATERIAL: Cast Steel
FINISH: DBZ 313
US3 / 605
US15 / 646



No. 20-7075 – 1-1/2"



No. J-110 – 3/4"

APPLICATION: Aluminum, Wood or Metal Doors and Frames

CAPACITY: Maximum Width = 54" (1372 mm)
Maximum Weight = 1000 Lbs (450 Kg)

FEATURES: Full Mortise - Handed
Available for Flush and 1/8" (3 mm) recessed doors.
FINISH - Cover Plate: US3 / 605
US10B / 613
US32 / 629
US32D / 630

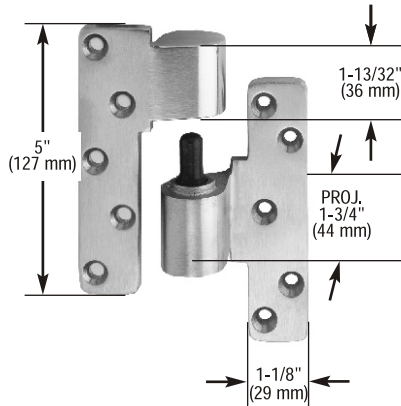


PIVOTS

3/4" OFFSET - INTERMEDIATE

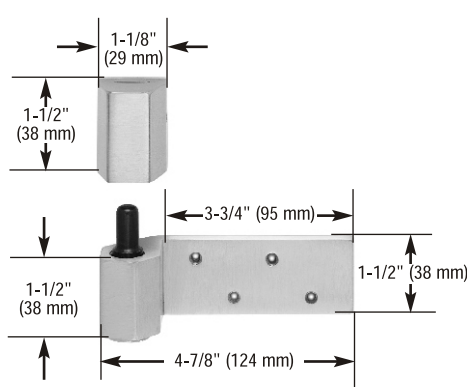
- Matching contemporary design
- 5/8" (16 mm) vertical adjustment

- Full race ball-bearing and oilite bronze bushing
- Fully retractable pin for easy installation



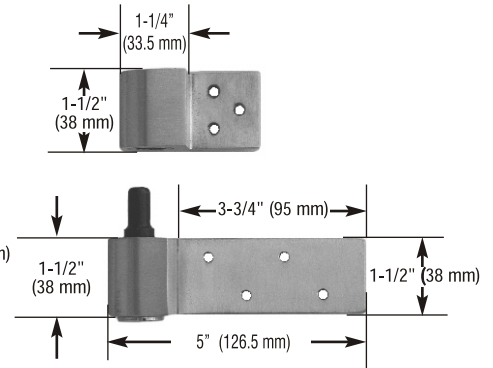
No. J-190

APPLICATION: Aluminum or Metal Doors and Frames
 CAPACITY:
 190 Aluminum - Max. Wt. = 0,150 Lbs (468 Kg)
 190HD Brass/Bronze - Max. Wt. = 1,000 Lbs (454 Kg)
 FEATURES: Full Mortise - Handed
 MATERIAL: 190HD = Aluminum
 190HD = Brass or Bronze or Stainless Steel
 FINISH: 190 = DBZ 313 190HD = US3 / 605
 US28 / 628 US10B / 613
 US32 / 629
 US32D / 630



No. J-14

APPLICATION: Aluminum Doors and Frames
 CAPACITY: Maximum Weight = 125 Lbs (57 Kg)
 FEATURES: Reversible - Non-Handed
 Jamb Slot-in
 MATERIAL: Extruded Aluminum
 FINISH: DBZ 313
 US28 / 628
 Short leg available



No. J-69

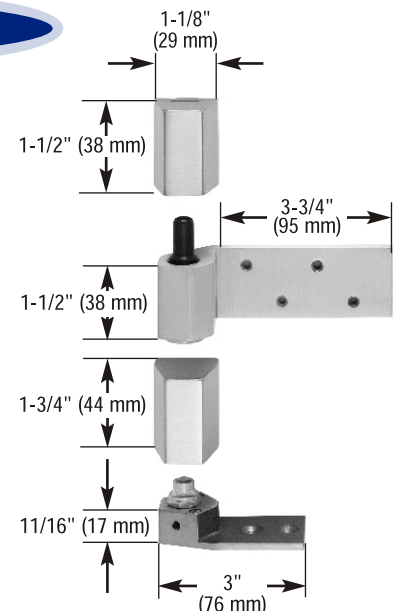
APPLICATION: Aluminum Doors and Frames
 CAPACITY: Maximum Weight = 250 Lbs. (114 kg)
 FEATURES: Reversible
 Jamb Slot-in
 MATERIAL: Extruded Aluminum
 FINISH: DBZ 313
 US28 / 628
 Short leg available

COMBINATION SET

No. J-29

- Combination J-14 intermediate and floor pivot set
- For use with offset overhead concealed closer application

APPLICATION: Aluminum Doors and Frames
 CAPACITY: Maximum Weight = 125 Lbs (57 Kg)
 FEATURES: Reversible - Non-Handed
 MATERIAL: Extruded and Cast Aluminum
 FINISH: DBZ 313
 US28 / 628

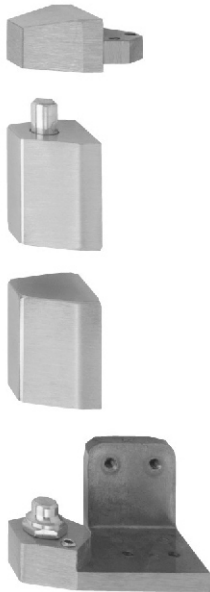




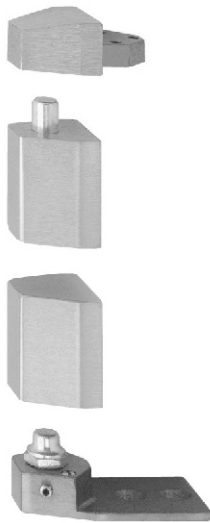
PIVOTS

3/4" OFFSET - PIVOT SETS

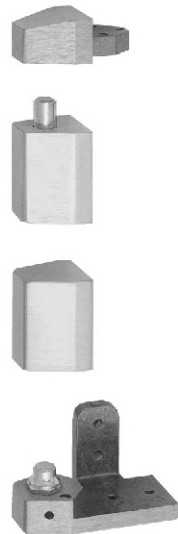
- Suitable for aluminum frames and doors weighing up to 125 lbs. (57 kg)
- Matching contemporary design
- Extruded or Cast Aluminum
- Full race ball-bearing and oilite bronze bushing
- Fully retractable, spring loaded top pin for easy door installation and adjustment
- 1/8" (3 mm) vertical adjustment



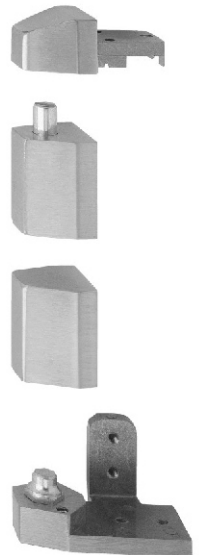
Set No. J-25
Set No. J-26



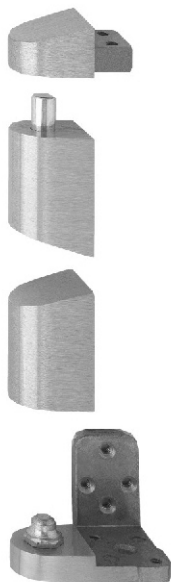
Set No. J-27
Set No. J-28



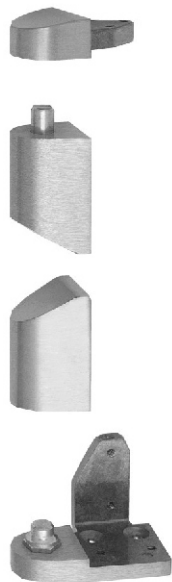
Set No. J-30
Set No. J-31



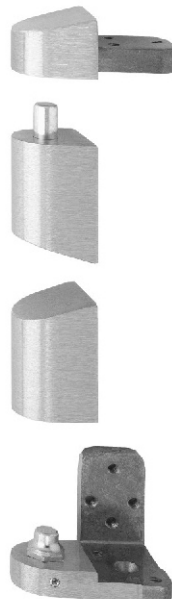
Set No. J-43



Set No. J-34



Set No. J-40



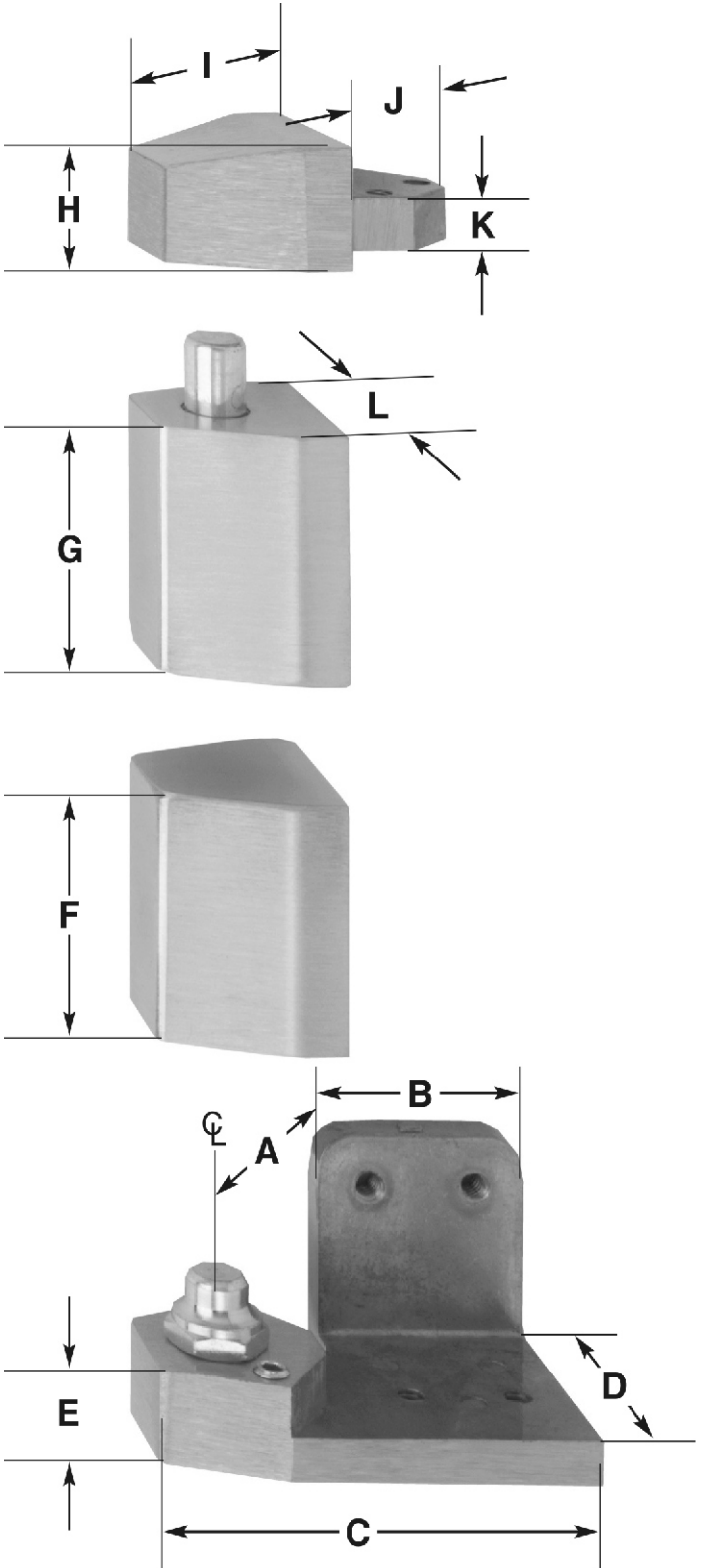
Set No. 41

NOTE: See page D6 for individual parts breakdown.



PIVOTS

3/4" OFFSET - PIVOT SETS



Set #	Hand	Application	A	B	C	D	E	F & G	H	I	J	K	L
J-25	R or L	Flush w/frame face	1" (25)	1 1/2" (38)	3" (76)	1 29/32" (48)	1 1/16" (17)	1 3/4" (44)	7/8" (22)	1 1/4" (32)	29/32" (23)	3/8" (10)	1 3/8" (35)
J-26	R or L	Recessed 1/8"	1" (25)	1 1/2" (38)	3" (76)	1 29/32" (48)	1 1/16" (17)	1 3/4" (44)	7/8" (22)	1 1/4" (32)	29/32" (23)	3/8" (10)	1 3/8" (35)
J-27	NH	Flush w/frame face	NA	NA	3" (76)	1 5/8" (41)	1 1/16" (17)	1 3/4" (44)	7/8" (22)	1 1/4" (32)	29/32" (23)	3/8" (10)	1 3/8" (35)
J-28	NH	Recessed 1/8"	NA	NA	3" (76)	1 5/8" (41)	1 1/16" (17)	1 3/4" (44)	7/8" (22)	1 1/4" (32)	29/32" (23)	3/8" (10)	1 3/8" (35)
J-30	R or L	Flush w/frame face	1" (25)	7/8" (22)	3" (76)	1 7/8" (48)	1 1/16" (17)	1 3/4" (44)	7/8" (22)	1 1/4" (32)	29/32" (23)	3/8" (10)	1 3/8" (35)
J-31	R or L	Recessed 1/8"	1" (25)	7/8" (22)	3" (76)	1 7/8" (48)	1 1/16" (17)	1 3/4" (44)	7/8" (22)	1 1/4" (32)	29/32" (23)	3/8" (10)	1 3/8" (35)
J-34	R or L	Flush w/frame face	7/8" (22)	1 3/16" (30)	2 3/4" (70)	1 15/16" (49)	1/2" (13)	2 5/8" (55)	15/16" (24)	1 3/8" (35)	3/4" (19)	7/16" (11)	1 3/8" (35)
J-40	R or L	Recessed 1/8"	29/32" (23)	1 3/16" (30)	3" (76)	1 15/16" (49)	1/2" (13)	2 1/4" (57)	3/4" (19)	1 1/4" (32)	15/16" (33)	3/8" (10)	1 3/8" (35)
J-41	R or L	Recessed 3/32"	7/8" (22)	1 3/16" (30)	2 3/4" (70)	1 15/16" (49)	1/2" (13)	2 5/8" (55)	1 1/8" (29)	1 1/4" (32)	15/16" (33)	7/16" (11)	1 3/8" (35)
J-43	R or L	Flush w/frame face	1" (25)	7/8" (22)	3" (76)	1 7/8" (48)	1 1/16" (17)	1 3/4" (44)	1" (25)	1 9/32" (33)	15/16" (33)	3/8" (10)	1 3/8" (35)

(mm)



PIVOTS

3/4" OFFSET - PIVOT SETS

PIVOT COMPONENT LISTING

SET NO.	HEADER AND FLOOR	TOP DOOR AND BOTTOM DOOR
J-25 RH	42-1570	42-1594
J-25 LH	42-1571	42-1594
J-26 RH	42-1578	42-1594
J-26 LH	42-1579	42-1594
J-27	42-1568	42-1594
J-28	42-1576	42-1594
J-30 RH	42-1572	42-1594
J-30 LH	42-1573	42-1594
J-31 RH	42-1580	42-1594
J-31 LH	42-1581	42-1594
J-34 RH	42-1566	42-1592
J-34 LH	42-1567	42-1592
J-40 RH	42-1574	42-1596
J-40 LH	42-1575	42-1596
J-41 RH	42-1562	42-1590
J-41 LH	42-1563	42-1590
J-43 RH	42-1564	42-1594
J-43 LH	42-1565	42-1594



PIVOTS

PIVOT SETS

For 1-3/4" Aluminum Doors weighing not more than 125 lbs. (57 kg)



213 Walking beam
Top Pivot



673A Top Door Arm
w/nylon bushing



676 Bottom Door Arm
w/Ball Bearing Race

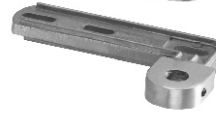


678 Floor Portion
w/Steel Pin

670M - Center-Hung



691 Top Header Portion
w/nylon bushing



684 Offset Arm



685 Pivot Pin



684 Offset Arm



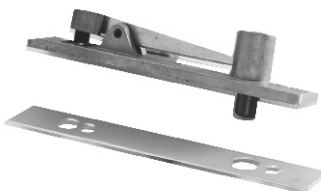
686 Bearing Holder
w/Ball Bearing Race



678 Floor Portion
w/Steel Pin

689 - Offset (non-handed)

For 1-3/4" Wood or Hollow Metal Doors weighing not more than 125 lbs. (57 kg)



213K Walking Beam Top
Pivot w/cover plate



653A Top Door Arm
w/nylon bushing



676 Bottom Door Arm
w/Ball Bearing Race



678 Floor Portion
w/Steel Pin

650M - Center-Hung



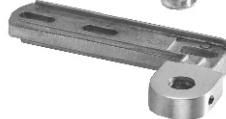
691 Top Header Portion
w/nylon bushing



694 Offset Arm



685 Pivot Pin



694 Offset Arm



686 Bearing Holder
w/Ball Bearing Race



678 Floor Portion
w/Steel Pin

690 - Offset (non-handed)